



# Product Specification

## General Specifications

Type	Compression Driver			
Throat Diameter	1	inch	25.4	mm
Diaphragm Diameter	1.75	inch	44.5	mm
Nominal Impedance	8	$\Omega$		
Voice Coil DC Resistance	6.5	$\Omega$		
Power Handling Capacity	50	W(AES)		
Frequency Bandwidth ( $\pm$ 3dB)	1k-18k	Hz		
Sensitivity @ 1W 1M	108	dB	load with JH561	
Recommended Crossover	1800	Hz	12dB/Octave Slope	
Mounting Type	BOLT ON			

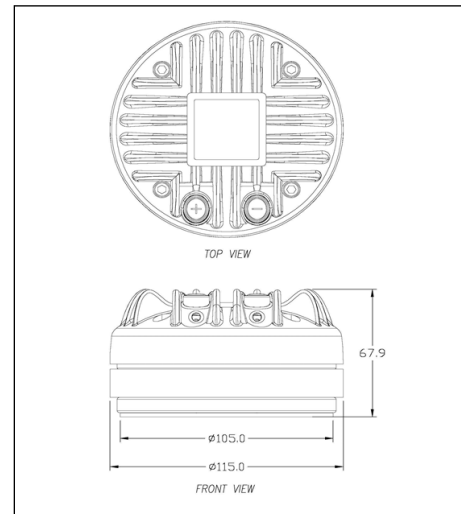
Code Number	F01020100801PAA		
Model Name	BM-D446 8OHM		
Description	Compression Driver		
Customer Name	PAUDIO		
Engineer	ART	Date	18/7/2014
Approved		Date	18/7/2014

## Physical Information

Magnet	Type	Ferrite Y30		
	Size (mm)	115	45	15
	Volume	23.3 oz.		
Cover	Material	Aluminium		
	Color	Blue		
Voice Coil	Wire	AL-R		
	Former	KSV		
	Diaphragm	Material	Titanium	
	Color	Metalic Silver		
Packing Quantity	18 PCS (BULK)			
Safe & Proper size	(mm)	305	310	233
	(inch)	12.0	12.2	9.2
	cu.ft	0.78		

## Dimensions

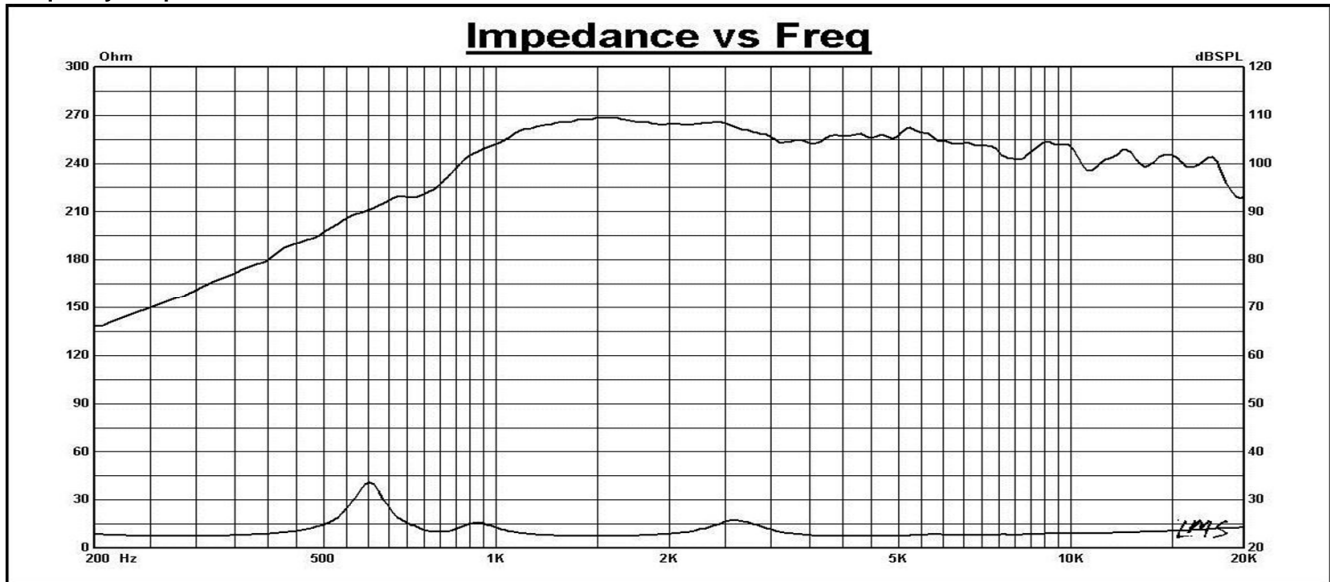
Overall Diameter	115	mm	4.5	inch
Mouting Hole Diameter	2 -M6X1 PCD 76.2 mm			
Mouting Hole Diameter	3 -M6X1 PCD 57.0 mm			



## Power Test

Apply Voltage	18	V	Duration	2	hour
Low Pass	1800	Hz	Hi Pass	20000	Hz

## Frequency Response



Revision	B
----------	---

FM-RD-17D